





### Application levels

|                                 | Level 1     | Level 2                            | Level 3                            |
|---------------------------------|-------------|------------------------------------|------------------------------------|
| Keyboard                        | 6 keys      | 14 keys                            | 17 keys                            |
| Display                         | 14 segments | 14 segments plus application icons | 14 segments plus application icons |
| Weighing                        | •           | •                                  | •                                  |
| Averaging                       |             | •                                  | •                                  |
| Reference scale connection      |             | •                                  | •                                  |
| Counting                        |             | •                                  | •                                  |
| Totalizing                      |             | •                                  | •                                  |
| Checkweighing                   |             | •                                  | •                                  |
| Product data memory             |             |                                    | •                                  |
| Date/time                       |             | •                                  | •                                  |
| SQ min (minimum sample quality) | •           | •                                  | •                                  |
| ID codes (4x40 characters)      |             |                                    | •                                  |

### Weight-determination specifications

#### Non-verifiable models

|                        |     |     |     |        |        |       |       |     |
|------------------------|-----|-----|-----|--------|--------|-------|-------|-----|
| Weighing capacity (kg) | 6   | 15  | 16  | 3,5/16 | 3,5/16 | 7/35  | 7/35  | 35  |
| Readability (g)        | 0,1 | 0,5 | 0,1 | 0,1/1  | 0,1/1  | 0,1/1 | 0,1/1 | 0,1 |
| Resolution code        | -S  | -I  | -H  | -K     | -T     | -D    | -P    | -H  |

#### Verified models

|                                   |      |      |      |        |        |       |       |      |
|-----------------------------------|------|------|------|--------|--------|-------|-------|------|
| Weighing capacity (kg)            | 6    | 15   | 16   | 3,5/16 | 3,5/16 | 7/35  | 7/35  | 35   |
| Readability (g)                   | 0,1  | 0,5  | 0,1  | 0,1/1  | 0,1/1  | 0,1/1 | 0,1/1 | 0,1  |
| Verification scale interval e (g) | 1    | 0,5  | 1    | 1      | 1      | 1     | 1     | 1    |
| Resolution code                   | -SCE | -ICE | -HCE | -KCE   | -TCE   | -DCE  | -PCE  | -HCE |

|                            |   |   |   |   |   |   |   |   |
|----------------------------|---|---|---|---|---|---|---|---|
| Preload (kg)               | 5                                       | 5 | 5 | 5 | 5 | 5 | 5 | 5 |
| Standard deviation [s] (g) | 0.08 (verified models acc. to EN 45501) |   |   |   |   |   |   |   |
| Linearity (g)              | 0.2 (verified models acc. to EN 45501)  |   |   |   |   |   |   |   |

### Resolutions

#### Non-verifiable

**-S** Resolution  $\geq 60,000$  d

**-H** Resolution  $> 100,000$  d

**-K** Resolution  $\leq 50,000$  d (fine range only for spec. capacity level)

**-T** Resolution  $\leq 50,000$  d (fine range can be continuously used)

**-D** Resolution  $> 50,000$  d (fine range only for spec. capacity level)

**-P** Resolution  $> 50,000$  d (fine range can be continuously used)

**-I** Resolution  $> 30,000$  d

#### Verified at factory

**-SCE** Single range, Class II  $< 10,000$  e,  $e = 10$  d

**-HCE** Single range, Class II  $> 10,000$  e,  $e = 10$  d

**-KCE** Dual range (fine range only for spec. capacity level) Class II  $\leq 5,000$  e

**-TCE** Dual range (fine range can be continuously used) Class II  $\leq 5,000$  e

**-DCE** Dual range (fine range only for spec. capacity level) Class II  $> 5,000$  e

**-PCE** Dual range (fine range can be continuously used) Class II  $> 5,000$  e

**-ICE** Single range, Class II  $30,000$  e,  $e = d$

## Options

| Equipment                             |     | Level 1 | Level 2 | Level 3 |   |
|---------------------------------------|-----|---------|---------|---------|---|
| 24 volt AC adapter                    | L8  | •       | •       | •       | Details: see data sheet for options L8 / L9 |
| Built-in rechargeable battery pack    | L9  | •       | •       | •       |   |
| Analog second interface               | A15 |         |         |         | Details: see data sheet for option A15      |
| Separable connection of second scale  | X1  |         | •       | •       |   |
| Built-in Alibi memory                 | E 5 | •       | •       | •       |   |
| ATEX protection rating zones 2 and 22 | Y2  | •       | •       | •       | Details: see data sheet for option Y2       |

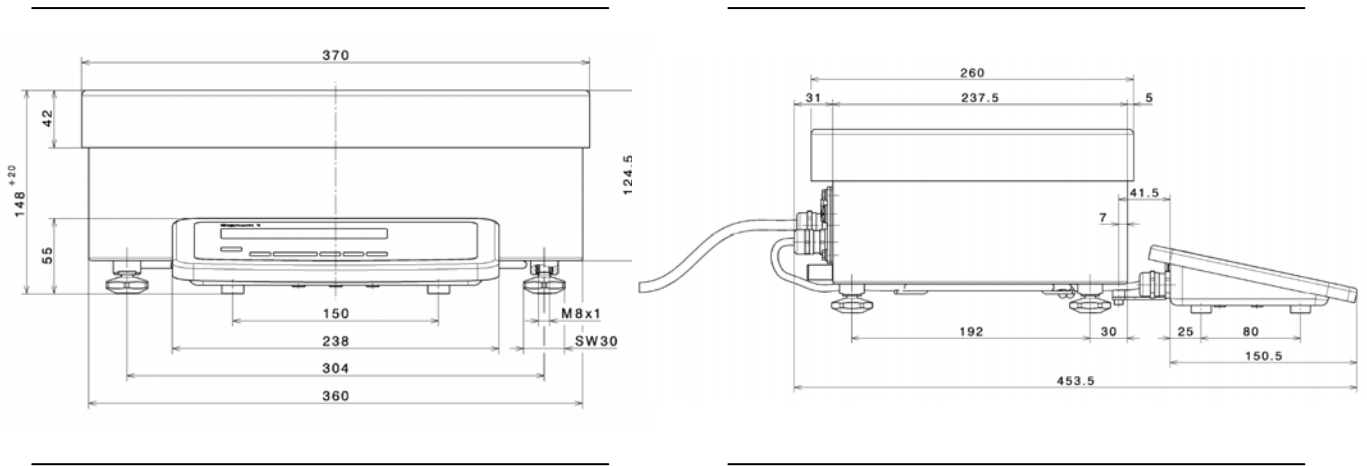
## Interfaces

|   |    | Standard | Standard | Standard |  |
|---|----|----------|----------|----------|--|
| COM 1: "RS232 connectivity" plus PS/2 connector for barcode scanner or keyboard |    |          |          |          |  |
| UniCom: RS232   | A1 | •        | •        | •        | Details: see data sheet for options A1 / A2 / A3 |
| UniCom: RS422   | A2 | •        | •        | •        |  |
| UniCom: RS485   | A3 | •        | •        | •        |  |
| UniCom: Ethernet  | B9 | •        | •        | •        | Details: see data sheet for option B9            |
| UniCom: 5 dig. In/5 dig. Out*   | A5 | •        | •        | •        | Details: see data sheet for option A5            |
| UniCom: Analog output*  | A9 | •        | •        | •        | Details: see data sheet for option A9            |
| UniCom: Profibus  | B1 | •        | •        | •        |  |

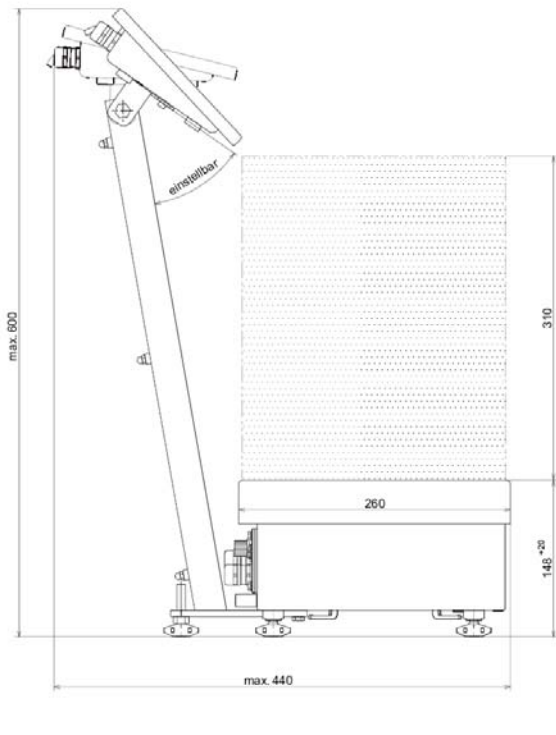
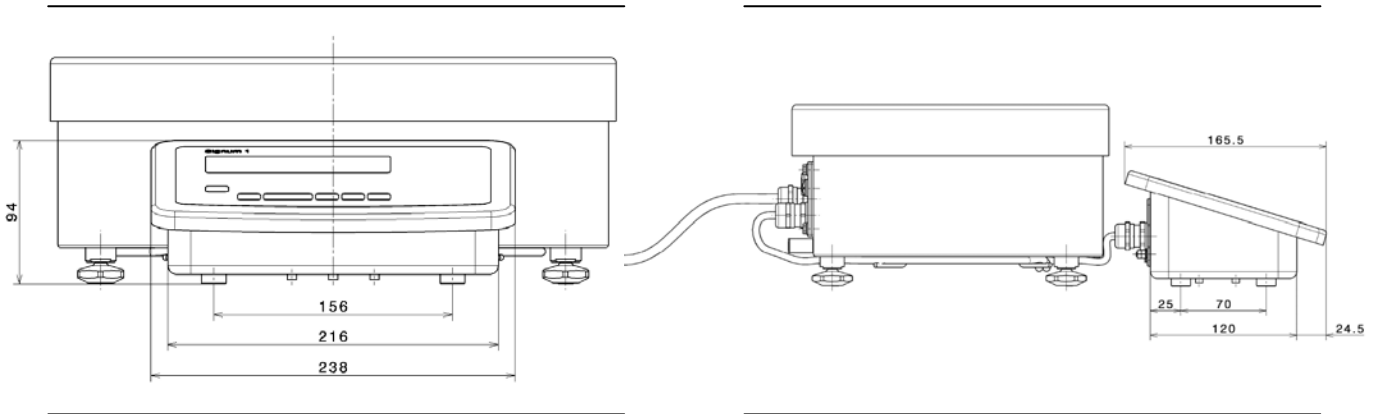
## Test record, manufacturer's final inspection

|  |    |     |     |     |                      |
|--|----|-----|-----|-----|----------------------|
| Test record, production final inspection (scale) | Z3 | •   | •   | •   |                      |
| Int. weight circuit:                             |    |     |     |     |                      |
| Non-verifiable models:                           |    | No  | No  | No  | Optional (option E7) |
| Verified models:                                 |    | Yes | Yes | Yes |                      |

Scale drawings:



for option A15, L9



## Accessories

### Printer

|   |                 |
|---|-----------------|
| Data printer with date, time and statistics program | YDP20-OCE       |
| Strip/Label printer, 60 mm paper width              | YDP04IS-OCEUV   |
| Strip/Label printer, 108 mm paper width             | YDP12IS-OCEUV   |
| Thermal transfer printer, 108 mm paper width        | YDP12IS-OCEUVTH |
| Barcode scanner                                     | YBR03PS2        |
| External display                                    | YRD14Z          |
| Relay box   | YSB01           |

### Mechanical accessories

|  |          |
|--|----------|
| Column, height 330 mm  | YDH01CWS |
| Column, height 500 mm  | YDH02CWS |
| Column, height 750 mm  | YDH03CWS |
| Wall mounting bracket for the display, stainless steel           | YDH01CIS |
| Wall mounting bracket for the display, stainless steel, tiltable | YDH02CIS |
| Dust covers for display unit (2 pieces)                          | YDC01SW  |

### Software

|                                     |         |
|-------------------------------------|---------|
| Sartorius Nice Label Express (SNLE) | YAD02IS |
| WinScale for Windows 95/98/2000/NT  | YSW03   |
| SartoConnect                        | YSC01L  |

Sartorius AG  
Weender Landstraße 94-108  
Göttingen, Germany

Phone +49.551.308.0  
Fax +49.551.308.3495  
Info.mechatronics@sartorius.com  
www.sartorius-mechatronics.com

Specifications subject to change without notice  
Status 10.2008