

Midrics Scale Indicator MIS1-UR



Specifications:

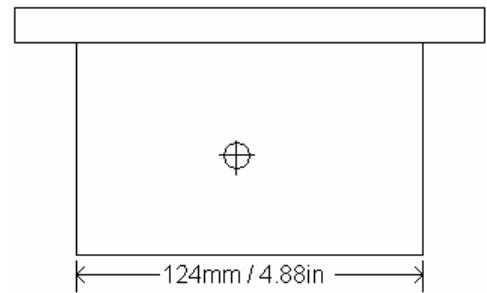
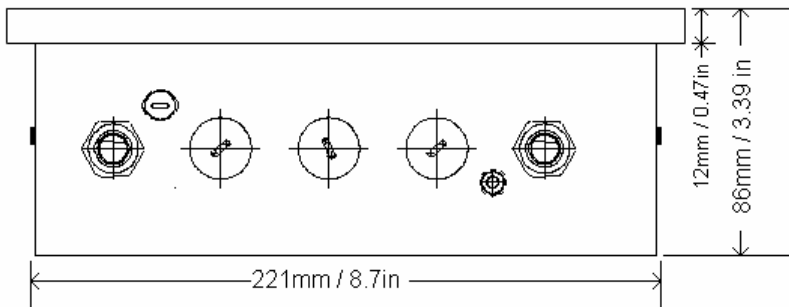
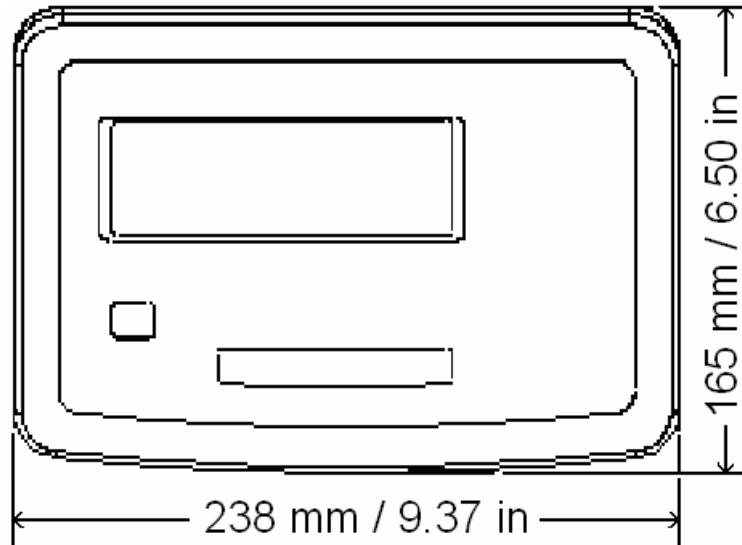
Maximum Readability:	15,000 Digits	Display:	20mm / 0.8in, 14 Segment Backlit LCD
Load Cell Connection:	for 4 or 6 wire load cells	Keypad:	Large positive click action, with keys; On/Standby, Zero, Tare, Function, Print
Supply Voltage:	8.4 V		
Bridge Impedance:	83 to 2,000 ohms	Housing:	AISI 304 Stainless Steel
Measuring Signal:	0 mV to 29.4 mV	Prot. Rating:	IP65
Sensitivity:	4 million digits max. (internal)	Dimensions:	9.4"W x 6.5D" x 3.4"H
		Net Weight:	2.3 kg / 5.1 lb
Power Supply:	Standard Equipment	Oper. Temp.:	+14 to 104 °F / +10 to +40 °C
Power Requirements:	120->240 VAC max. 17W/23VA	Power Cord Length:	3m / ~9ft
	Optional: 24VDC, 12W max.		
	Optional: 24VAC 50-60Hz, max. 12W		

Features:

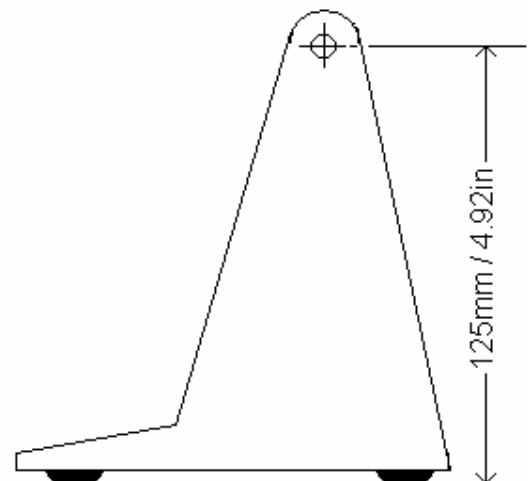
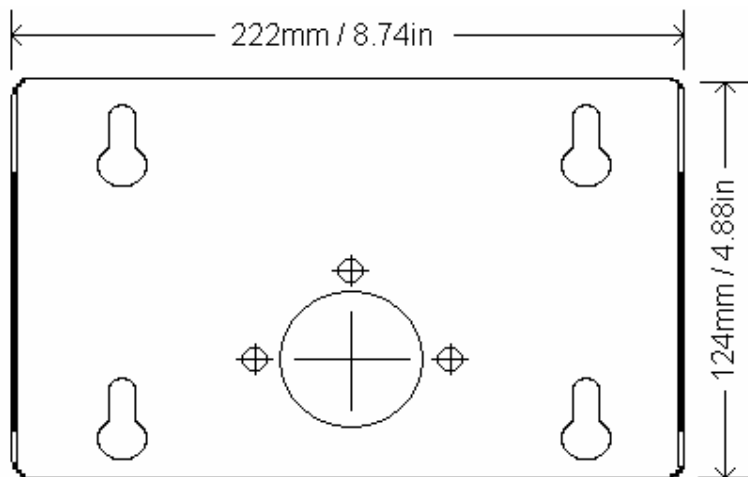
- Integrated A/D converter, for connection of Midrics or any analog platform scale, internal terminal strip
- COM1 Optional Interfaces;
 - RS-232: YDO01M-232
 - RS-232 + Clock: YDO01M-232CLK
- Function Key for;
 - Gross / Net Toggling
 - Two Weight Unit Toggling
 - Display 10X Higher Resolution (5 Seconds)
- UniCOM Optional Interfaces;
 - RS232: YDO01M-232CO
 - RS485: YDO01M-485
 - Digital I/O, 5 in / 5 out Opto Isolated: YDO01M-IO
 - Analog Output, 16bit, 0/4-20mA, 0-10V: YDA01M-20MA

Sartorius Corporation
 131 Heartland Boulevard
 Edgewood New York 11717
 Toll Free: (800) 635-2906
 ☎ (631) 254-4249
 Fax (631) 254-4261

www.SartoNews.com	
Related Documents	#
Industrial Catalog	2000
Calibration Catalog	80000
Laboratory Catalog	1000



Includes: Mounting Bracket and Hardware for attachment to Wall or Bench.



Sartorius Corporation
 131 Heartland Boulevard
 Edgewood New York 11717
 Toll Free: (800) 635-2906
 ☎ (631) 254-4249
 Fax (631) 254-4261

www.SartoNews.com	
Related Documents	#
Industrial Catalog	2000
Calibration Catalog	80000
Laboratory Catalog	1000