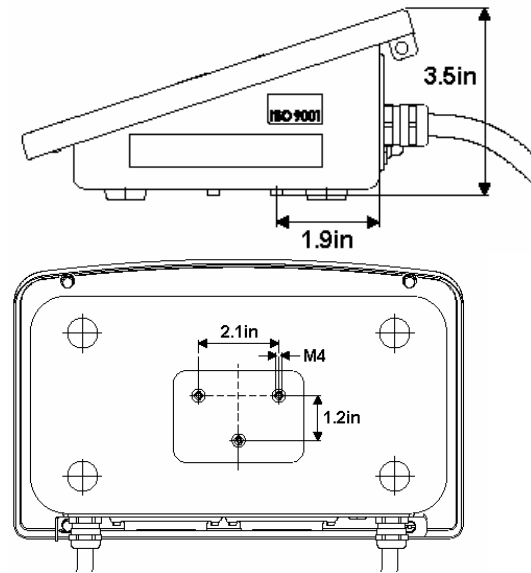
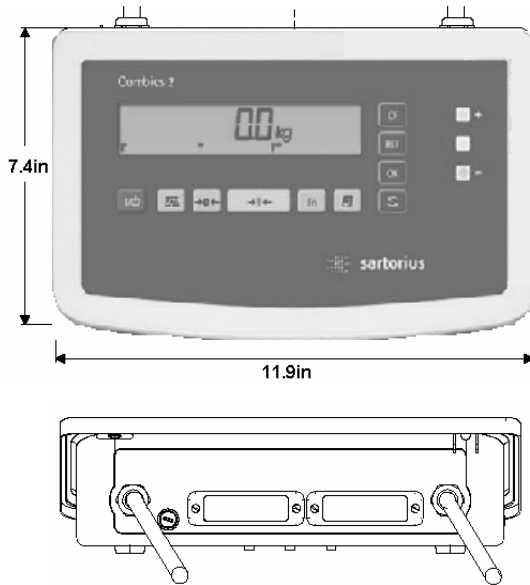


Combics Scale Indicator CISL2U



Specifications:

Load Cell Connection: for 4 or 6 wire load cells
Supply Voltage: 9V
Bridge Impedance: 83 ohms to 2K ohms
Measuring Signal: 0.45 mV to 36 mV
Sensitivity: 4 million digits max. (internal)
Power Supply: Standard Equipment
Power Requirements: 120->240 VAC, 17W/23VA Max
 Optional: 15.5->24VDC 17W max.

Keypad: Large positive click action, with keys for ON/OFF, Platform Toggle, Zero, Tare, Function, Print/Data Output, CF, REF, OK, Toggle
Housing: AISI 304 Stainless Steel
Prot Rating: IP44
 IP65 / NEMA 4 with upgrade YAS01CISL
Dimensions: 11.9"W x 7.4"D x 3.5"H
Oper. Temp.: +14 to 104 °F / -10 to +40 °C

Display: 0.8in, 7 Segment Backlit LCD
 with Bar Graph Weighing Range Indicator
 Three Built-in LED Checkweighing Lights

Net Weight: 5 lb

Features:

- Integrated A/D converter, for connection of Combics or any analog platform scale, internal terminal strip
- Connects to High Resolution IS Platforms through optional RS-485, YDO01C-485
- RS-232 interface port, DB25 female, standard
- Optional: 2nd interface port with choice of;
 - RS-232: YDO01C-232
 - RS-485, RS-422: YDO01C-485
- Analog Output, 0-20mA: YDA01C-20mA
- ProfiBus: YDO01-DP
- Port connector for battery operation
- Battery Charge Status Display (with connection of battery pack, YRB10Z)

- Automatic Container Taring
- Storage of Two Header Lines
- GMP Printout with Date and Time
- Application Data Stored in Battery-Backed RAM
- Function Key for Applications:
 - Gross/Net Toggling
 - Three Weight Unit Toggling
 - Display 10X higher resolution
- Applications Included: Counting, Checkweighing, Differential Weighing, % Weighing, Gross-Net-Tare, Sorting, Totalizing, Animal Weighing

Sartorius Corporation
 131 Heartland Boulevard
 Edgewood New York 11717
 Toll Free: (800) 635-2906
 ☎ (631) 254-4249
 Fax (631) 254-4261

Sartorius Fax on Demand: (800) 551-3774	
This Document Number:	21203
Related Documents	
Combics Catalog	21000
Industrial Catalog	2000
Calibration Catalog	80000
Laboratory Catalog	1000