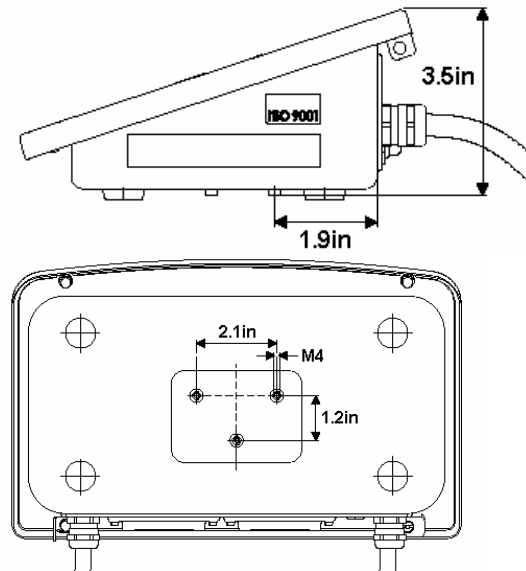


Combics Scale Indicator CISL1N



Specifications:

Load Cell Connection:	for 4 or 6 wire load cells	Keypad:	Large positive click action, with keys for ON/OFF Zero, Tare, Function, Print/Data Output and Number Keys for ID Codes and Pre-Set Tare
Supply Voltage:	9V	Housing:	AISI 304 Stainless Steel
Bridge Impedance:	83 ohms to 2K ohms	Prot. Rating:	IP44
Measuring Signal:	0.45 mV to 36 mV		IP65 / NEMA 4 with upgrade YAS01CISL
Sensitivity:	4 million digits max. (internal)	Dimensions:	11.9"W x 7.4"D x 3.5"H
Power Supply:	Standard Equipment	Oper. Temp.:	+14 to 104 °F / -10 to +40 °C
Power Requirements:	120->240 VAC, 17W/23VA Max		
Optional:	15.5->24VDC 17W max.	Net Weight:	5 lb
Display:	0.8in, 7 Segment Backlit LCD		

Features:

- Integrated A/D converter, for connection of Combics or any analog platform scale, internal terminal strip
- RS-232 interface, DB25 female, standard
- Optional 2nd interface port with choice of;
 - RS-232: YDO01C-232,
 - RS-485, RS-422: YDO01C-485
 - Analog Output 0-20mA: YDA01C-20mA
 - ProfiBus: YDO01-DP
- Real Time Clock for Time and Date
- Battery backed RAM for ID Codes and Headers
- Function Key for Applications:
 - Gross/Net Toggling
 - Three Weight Unit Toggling
 - Display 10X higher resolution
- Automatic Container Taring
- Storage of Two Header Lines
- Port connector for battery operation
- Battery Charge Status Display, (with connection of battery pack, YRB10Z)

Sartorius Corporation
 131 Heartland Boulevard
 Edgewood New York 11717
 Toll Free: (800) 635-2906
 ☎ (631) 254-4249
 Fax (631) 254-4261

Sartorius Fax on Demand: (800) 551-3774	
This Document Number:	21209
Related Documents	#
Combics Catalog	21000
Industrial Catalog	2000
Calibration Catalog	80000
Laboratory Catalog	1000