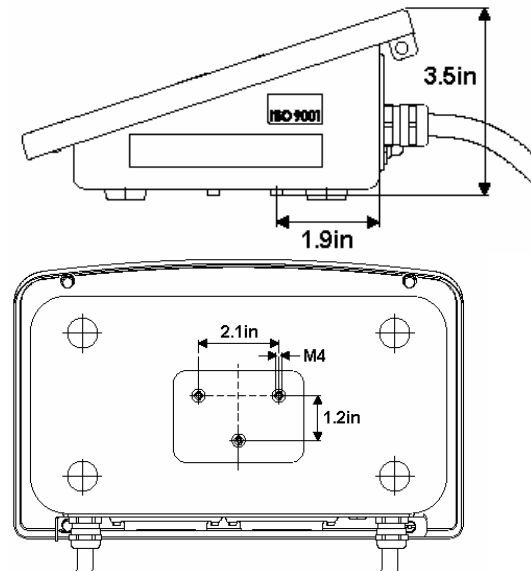
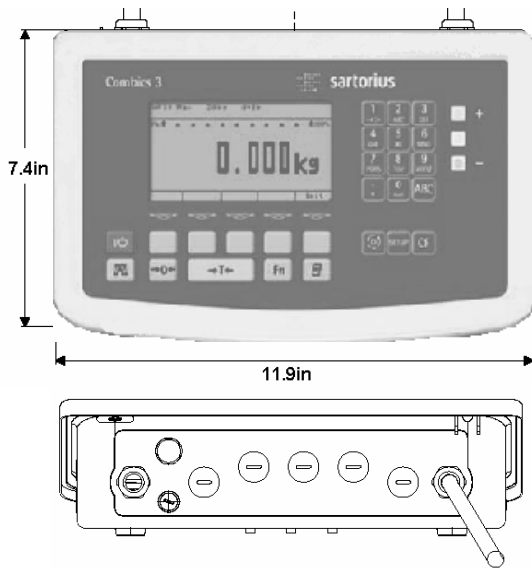


Combics Scale Indicator CIS3U



Specifications:

Load Cell Connection: for 4 or 6 wire load cells
 Supply Voltage: 9V
 Bridge Impedance: 83 ohms to 2K ohms
 Measuring Signal: 0.45 mV to 36 mV
 Sensitivity: 4 million digits max. (internal)

Power Supply: Standard Equipment
 Power Requirements: 120->240 VAC, 17W/23VA Max
 Optional: 15.5->24VDC 17W max.
 Display: Dot Matrix, Graphical, Backlit
 LCD with Bar Graph Weighing Range Indicator
 Three Built-in LED Checkweighing Lights

Keypad: Large positive click action
 ON/OFF, Platform Toggle, Zero, Tare, Function,
 Print/Data Output, CF, REF, OK, Toggle
 Alphanumeric Keys, Five Application "Soft" keys

Housing: AISI 304 Stainless Steel
 Prot. Rating: IP67 / NEMA 4X

Dimensions: 11.9"W x 7.4"D x 3.5"H
 Oper. Temp.: +14 to 104 °F / -10 to +40 °C

Net Weight: 5 lb

Features:

- Integrated A/D converter, for connection of Combics or any analog platform scale, internal terminal strip
- Connects to High Resolution IS Platforms through optional RS-485, YDO01C-485
- 2 Serial Ports, Standard Equipment
 Com 1: RS-232 interface port
 Com 2: Configurable RS232 or RS485
- Optional: 3rd Interface Port with choice of;
 RS-232: YDO01C-232
 RS-485, RS-422: YDO01C-485
 Analog Output, 0-20mA: YDA01C-20mA
 ProfiBus: YDO01-DP
- Port connector for battery operation
- Battery Charge Status Display
 (with connection of battery pack, YRB10Z)

- Automatic Container Taring
- Up to Four Alphanumeric ID Texts
- Storage of Two Header Lines
- GMP Printout with Date and Time
- Application Data Stored in Battery-Backed RAM
- Function Key for Applications:
 Gross/Net Toggling
 Three Weight Unit Toggling
 Display 10X higher resolution
- Applications Included: Counting, Checkweighing, Differential Weighing, % Weighing, Gross-Net-Tare, Sorting, Totalizing, Animal Weighing
- Optional Application Package Available:
 Single Component Filling, See F.O.D. #21320

Sartorius Corporation
 131 Heartland Boulevard
 Edgewood New York 11717
 Toll Free: (800) 635-2906
 ☎ (631) 254-4249
 Fax (631) 254-4261

Sartorius Fax on Demand: (800) 551-3774	
This Document Number:	21208
Related Documents	#
Combics Catalog	21000
Industrial Catalog	2000
Calibration Catalog	80000
Laboratory Catalog	1000