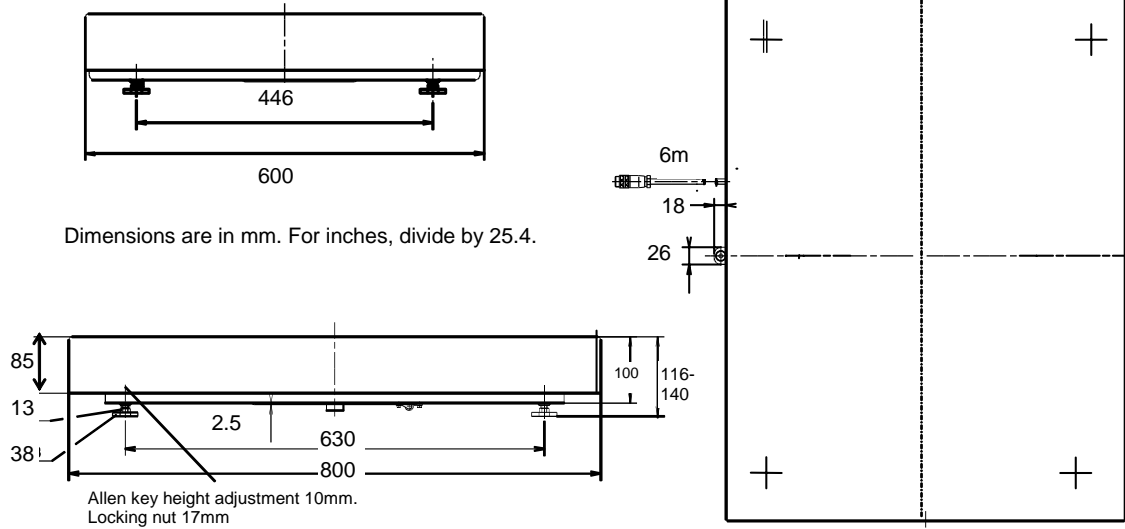


IS150IGG-H



SPECIFICATIONS:

Weighing Capacity	150kg / 330lb	Platform Size (WxD)	31.5" x 23.6"
Readability	1g / 0.002lb	Dimensions (WxHxD)	31.5" x 4.7" x 24.3"
Reproducibility	$\leq \pm 1g$	Platform:	Stainless Steel
Linearity	$\leq \pm 4g$	Base Construction	Galvanized Steel
Response Time	≤ 1.5 sec	Net Weight	70kg / 155lb
Operating Temp.	0 to +40 °C	Overload Capacity:	600kg / 1,300lb

FEATURES:

Connectable to Combics Indicators

Through an RS485 signal, the **IS150IGG-H** can be connected to a Combics **CIS__-IS** Indicator with it's standard 6 meter (18') cable, or up to 300 meters (900') where longer distance is required.

Ultra fast Response Time

You won't have to wait more than one second for a stable readout with this platform. With special menu codes activated, you can actually reduce the response time down to 800ms!

Standard Internal Calibration

Simply press one key to calibrate the platform at any time. Internal calibration is especially useful when the scale gets moved from one location to another, or when the temperature varies considerably.

IP67 / NEMA 4 Protection Rating

The IP67 protection rating of the platform provides excellent dust and water protection, even if temporarily submerged. That makes the IS suitable for use in tough industrial environments.

Connect directly to a computer

The Sartorius IS digital weighing platforms can be connected directly to a computer with optional RS232: YDO531S.

Fast Data Communication

Depending upon the menu setting you select in the setup parameters, data outputs can be sent up to 50 times a second

Sartorius Mechatronics Corporation
5 Orville Drive
Bohemia NY 11716

Toll Free: (800) 635-2906
☎ (631) 254-4249
Fax: (631) 254-4252

Sartorius Canada
2179 Dunwin Dr. Units 4 & 5
Mississauga Ontario L5L 1X2

Toll Free: (800) 668-4264
☎ (905) 569-7977
Fax: (905) 569-7021