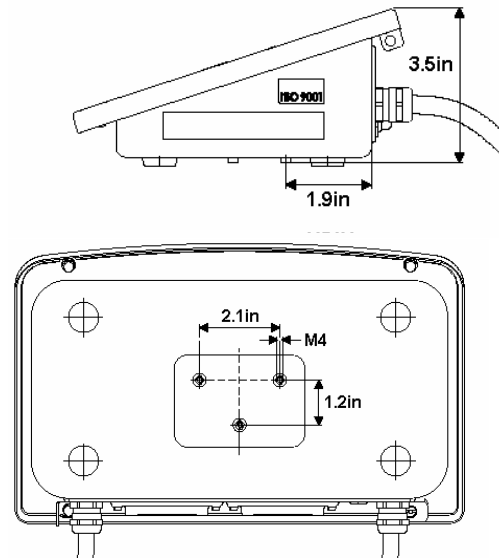
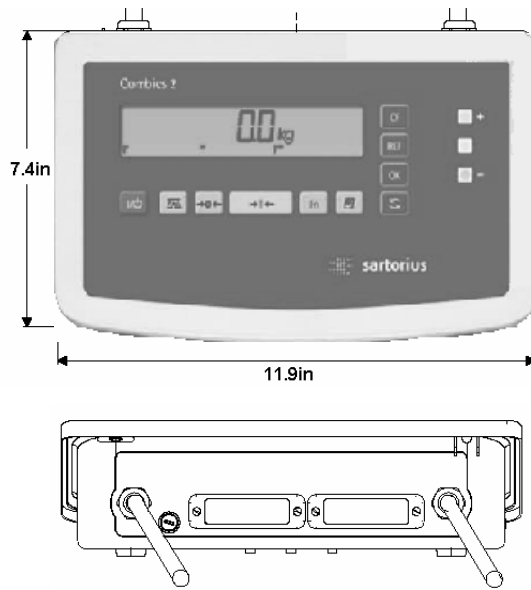


CISL2-IS

Combiics Indicator for IS Series Scales



SPECIFICATIONS:

Power Supply: Standard Equipment
Requirements: 120->240 VAC, 17W/23VA Max
Optional: 15.5->24VDC, 17W max.

Housing: AISI 304 Stainless Steel
Prot. Rating: IP44
Optional: IP65 / NEMA 4 with YAS01CISL

Oper. Temp.: +14 to 104 °F / -10 to +40 °C

Dimensions: 11.9"W x 7.4D" x 3.5"H
Net Weight: 7 lb

Display: 0.8in, 7 Segment Backlit LCD
with Bar Graph Weighing Range Indicator

COM1: RS-232 interface, DB25 female

FEATURES:

Large, positive click action keypad;
ON/OFF Zero, Tare, Function, Print
Platform Toggle, CF, REF, OK, App Toggle

Function Key for Applications;
Gross/Net Toggling
Three Weight Unit Toggling
Display 10X higher resolution

Real Time Clock for Time and Date
GMP Printout with Date and Time
Storage of Two Header Lines
Battery backed RAM for ID Codes and Headers

Applications Included: Counting, Sorting,
Differential Weighing, % Weighing,
Totalizing, Gross-Net-Tare, Animal Weighing
Checkweighing with Three Built-in LED Lights

Optional 2nd interface, UniCOM, with choice of;
RS-232: YDO1C-232,
RS-485, RS-422: YDO1C-485
Analog Output 0/20mA: YDA1C-20MA
Profibus: YDO1-DP3
Ethernet TCP/IP: YDO1C-EN

Port connector for battery operation
Battery Charge Status Display, when used
with options; YRB10Z and YCC02-RB02

Sartorius Mechatronics Corporation
5 Orville Drive
Bohemia NY 11716

Sartorius Canada
2179 Dunwin Dr. Units 4 & 5
Mississauga Ontario L5L 1X2

Toll Free: (800) 635-2906
☎ (631) 254-4249
Fax: (631) 254-4252

Toll Free: (800) 668-4264
☎ (905) 569-7977
Fax: (905) 569-7021