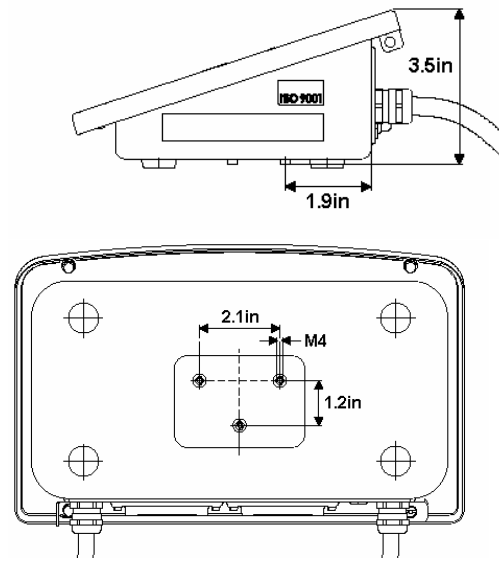
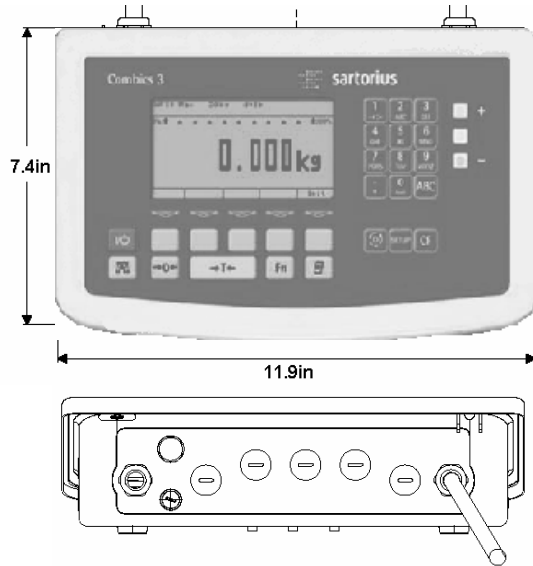


CIS3-IS

Indicator for IS Series Scales



SPECIFICATIONS:

Power Supply: Standard Equipment
Requirements: 120->240 VAC, 17W/23VA Max
Optional: 15.5->24VDC 17W max.

Oper. Temp.: +14 to 104 °F / +10 to +40 °C

Display: Graphical, Backlit LCD
with Bar Graph Weighing Range Indicator

Housing: AISI 304 Stainless Steel
Prot. Rating: IP67 / NEMA 4X

Dimensions: 11.9"W x 7.4"D x 3.5"H
Net Weight: 7 lb

COM1: RS-232 interface, internal terminal strip

FEATURES:

Large, positive click action keypad;
ON/OFF, Platform Toggle, Zero, Tare,
Function, Print, CF, REF, OK, Toggle
Alphanumeric Keys, 5 Application "Soft" keys

Function Key for Applications:
Gross/Net Toggling
Three Weight Unit Toggling
Display 10X higher resolution

Real Time Clock for Time and Date
GMP Printout with Date and Time
Storage of Two Header Lines
Four Alphanumeric ID Texts
Battery backed RAM for ID Codes, Headers
and App Data

Applications Included: Counting, Sorting,
Differential Weighing, % Weighing, Totalizing,
Gross-Net-Tare, Animal Weighing
Checkweighing, with Three Built-in LED Lights

Optional 2nd interface, UniCOM, with choice of;
RS-232: YDO01C-232,
RS-485, RS-422: YDO01C-485
Analog Output 0/20mA: YDA01C-20MA
Profibus: YDO01-DP3
Ethernet TCP/IP: YDO01C-EN

Integrated A/D converter, for connection of
Combics analog platform scale

Port connector for battery operation
Battery Charge Status Display, when used with
options; YRB10Z and YCC02-RB02

Sartorius Mechatronics Corporation
5 Orville Drive
Bohemia NY 11716

Sartorius Canada
2179 Dunwin Dr. Units 4 & 5
Mississauga Ontario L5L 1X2

Toll Free: (800) 635-2906
☎ (631) 254-4249
Fax: (631) 254-4252

Toll Free: (800) 668-4264
☎ (905) 569-7977
Fax: (905) 569-7021