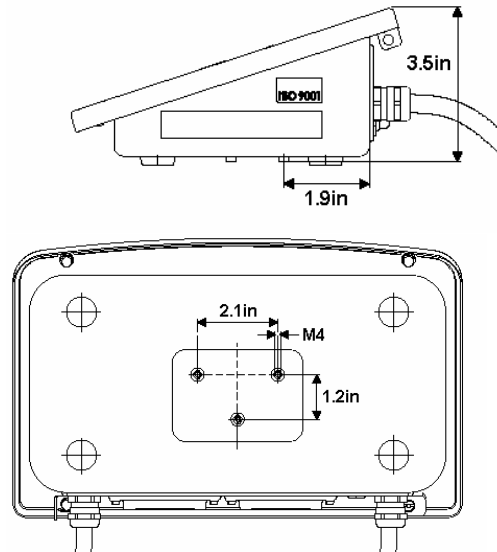


# CIS1-IS

Combics Indicator for IS Series Scales



## **SPECIFICATIONS:**

Power Supply: Standard Equipment  
Requirements: 120->240 VAC, 17W/23VA Max  
Optional: 15.5->24VDC, 17W max.

Oper. Temp.: +14 to 104 °F / -10 to +40 °C

Display: 0.8in, 7 Segment Backlit LCD

Housing: AISI 304 Stainless Steel  
Prot. Rating: IP67 / NEMA 4X

Dimensions: 11.9"W x 7.4"D x 3.5"H  
Net Weight: 7 lb

COM1: RS-232 interface, internal terminal strip

## **FEATURES:**

Large positive click action keypad;  
ON/OFF, Zero, Tare, Function, Print

Function Key for Applications:  
Gross/Net Toggling  
Three Weight Unit Toggling  
Display 10X higher resolution

Optional 2nd interface, UniCOM, with choice of;  
RS-232: YDO01C-232,  
RS-485, RS-422: YDO01C-485  
Analog Output 0/20mA: YDA01C-20MA  
ProfiBus: YDO01-DP3  
Ethernet YDO01C-EN

Port connector for battery operation  
Battery Charge Status Display, when used with  
options; YRB10Z and YCC02-RB02

Sartorius Mechatronics Corporation  
5 Orville Drive  
Bohemia NY 11716

Toll Free: (800) 635-2906  
☎ (631) 254-4249  
Fax: (631) 254-4252

Sartorius Canada  
2179 Dunwin Dr. Units 4 & 5  
Mississauga Ontario L5L 1X2

Toll Free: (800) 668-4264  
☎ (905) 569-7977  
Fax: (905) 569-7021