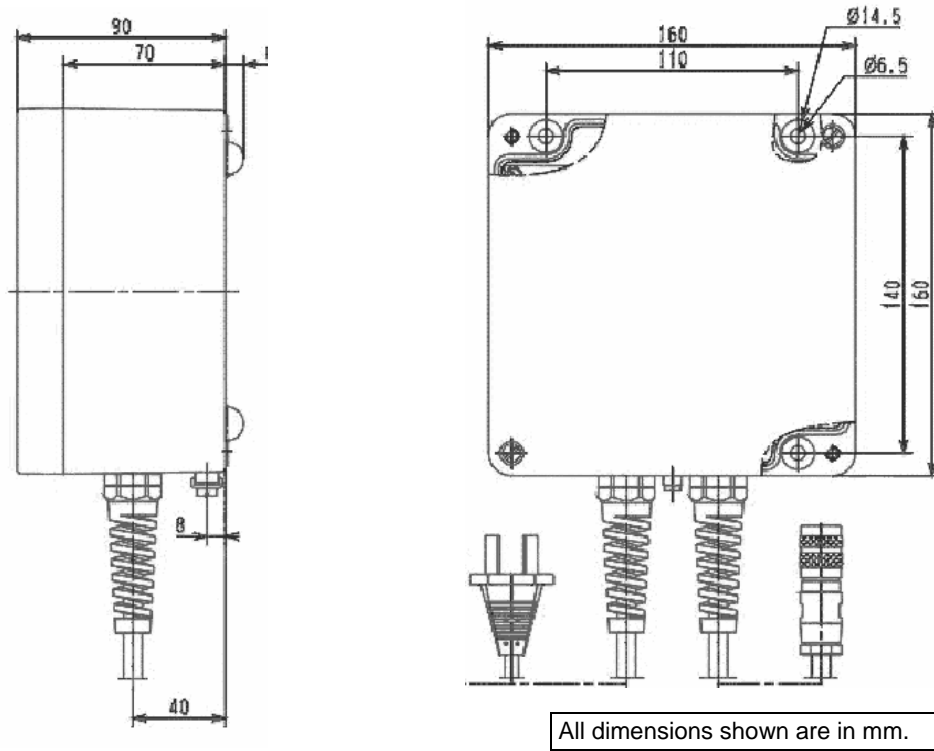


YPS02-ZKR

Safe Area Power Supply



SPECIFICATIONS:

FM / CSA Approval Rating:
 Power Requirements:
 Housing Dimensions:
 Cable Lengths:

Class 1,2,3, Division 1, Groups A,B,C,D,E,F,G,T4.
 Vm = 100-240 VAC, 50/60Hz, 25VA
 L= 6.3" W= 6.3" H= 3.5"
 3 ft. of cable to with plug to connect in safe area.
 65 ft. intrinsically safe cable to connect to FC or FCA .

DESCRIPTION:

Sartorius is not responsible for classifying a hazardous location.

The safe area power supply is installed in the safe area and comes equipped with 65 ft. of intrinsically safe cable that can be run to the scale in the hazardous location. No hardwiring is required, however unit must be located in a safe area.

Sartorius Corporation
 131 Heartland Boulevard
 Edgewood New York 11717
 Toll Free: (800) 635-2906
 ☎ (631) 254-4249
 Fax (631) 254-4261

Sartorius Fax on Demand: (800) 551-3774	
This Document Number:	20732
Related Documents	
Safe Area Power Supply YPS02-ZKR	20731
Explosion Proof Price List	42071
Industrial Catalog	2000