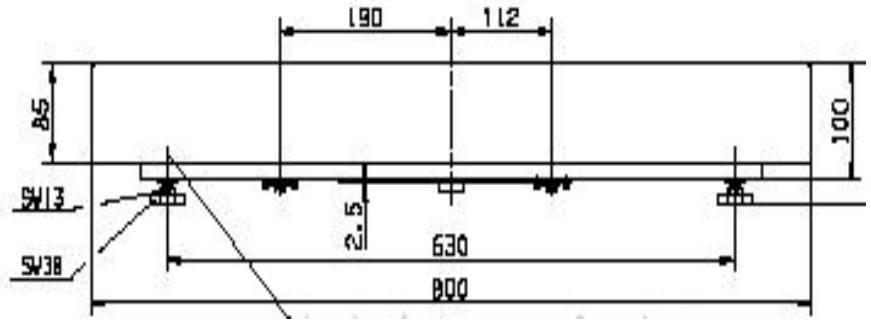
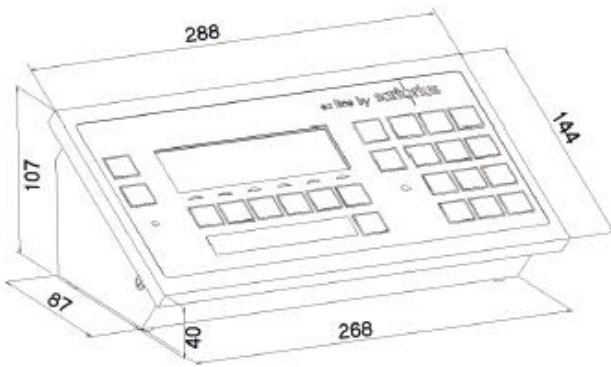


FCA300IGG-HX



Meeting your needs in every weigh.

All dimensions shown are in mm.



Approved Class 1,2,3: Div. 1, Groups ABCDEFGT4

SPECIFICATIONS:

Weighing Capacity	300kg/660lbs	Platform Size (WxDxH)	32" x 24" x 5.5"
Readability	2g/0.005 lbs.	Cable Length (ft)	19.6 ft.
Linearity	≤±8.0g/0.02 lbs	Displ. Dim. (WxHxD)	10.5" x 5.7" x 4.2"
Reproducibility	≤±2.0g/0.005 lbs	Overload Capacity	600kg or 1323lb
Response Time	< 1 seconds	Net Weight	70kg or 154lb.
Operating Temp.	0 to +40°C	Type of Display	Backlit LCD
Protection Rating	IP67 base, IP65 head	FM Rating	Cl.:1,2,3,Div.1,Groups ABCDEFGT4

FEATURES:

Built-in TEST Function

At a touch of one key, the scale will calibrate itself automatically, using a built-in-weight. The scale can output a test record to an optional printer or to a PC.

Multiple Built-in Application Programs

FC-EX Series scales come standard with the following application programs including: net total, timer, calculation, differential weighing, diameter determination, animal weighing, check weighing, weighing in percent, counting, totalizing, statistics, formulation, density determination, (300) memory locations and unit toggle.

Easy, User-Friendly Operation

The scale's display prompts the user in plain English for easy operator guidance. The keyboard has large, clearly marked keys, which give you an instant tactile feedback.

IP67 Protection Rating

IP 67 Protection Rating. For both the display and platform.

Intrinsically Safe Design

RS232 Data Interface:

For those areas with ISO concerns the FC-EX scales are capable of transferring GLP/GMP compliant data via the RS232 interface. User configurable printouts and calibration data can output to a printer or computer located outside the hazardous area through an optional Zener -Barrier (YDI02-Z, YDI03-Z)

Safe or Hazardous Area Power Supplies

FC-EX scales must be ordered with a safe area or hazardous area power supply.

Stainless Steel Indicator

The FCA series has a remote indicator with 19.6 feet of cable. This allows the indicator to be mounted in a variety of positions.

FACTORY MUTUAL

Canadian Standards Association



APPROVED

Sartorius Corporation
131 Heartland Boulevard
Edgewood New York 11717
Toll Free: (800) 635-2906
☎ (631) 254-4249
Fax (631) 254-4261

Sartorius Fax on Demand: (800) 551-3774	
This Document Number:	20730
Related Documents	#
Industrial Catalog	2000
Explosion Proof Price List	42071