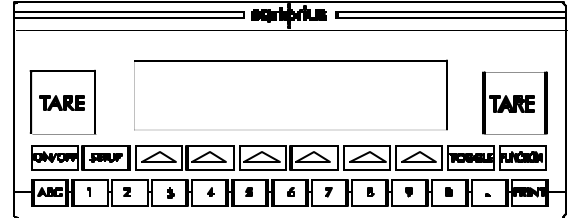
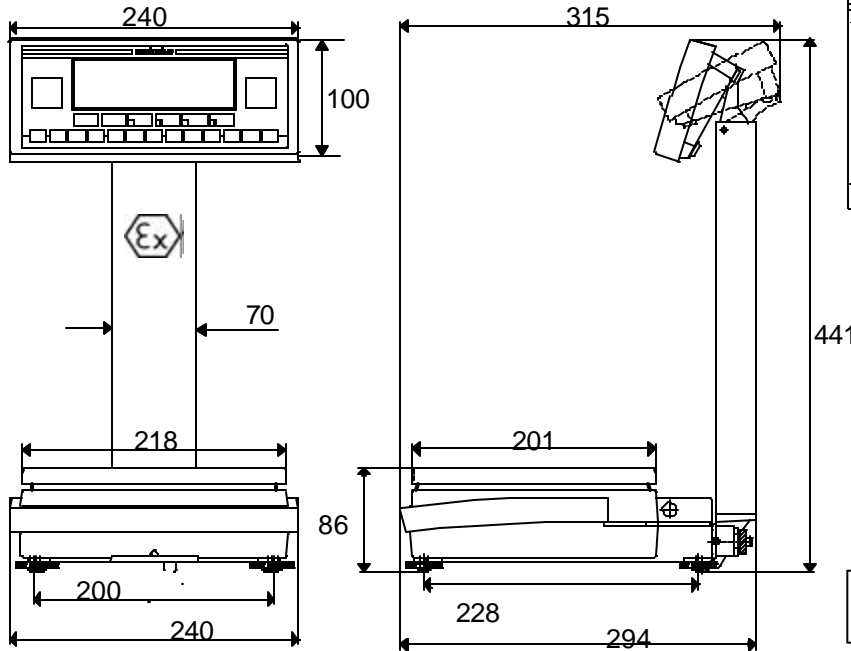


# FC6CCE-SX



Meeting your needs in every weigh.



All dimensions shown are in mm.

**FACTORY MUT UAL**

**Canadian Standards Association**

**APPROVED**

**Intrinsically Safe Design**

## **SPECIFICATIONS:**

Weighing Capacity	6.2kg or 13.6lb.	Platform Size (WxD)	8.5" x 7.9"
Readability	0.1g or 0.0002lb.	Dimensions (WxHxD)	9.4" x 11.6" x 3.4"
Linearity	± 0.1g or 0.0002 lb.	Displ. Dim. (WxHxD)	9.4" x 4.1" x 1.6"
Reproducibility	± 0.05g or 0.0001 lb.	Overload Capacity	50kg or 110lb
Response Time	< 1 seconds	Net Weight	7.3kg or 16.1lb.
Operating Temp.	0 to +40°C	Type of Display	Backlit LCD
Protection Rating	IP54	FM Approval Rating	Cl.1,Div.1,Groups ABCD

## **FEATURES:**

### **Built-in TEST Function**

At a touch of one key, the scale will calibrate itself automatically, using a built-in-weight. The scale can output a test record to an optional printer or to a PC.

### **Multiple Built-in Application Programs**

FC-EX Series scales come standard with the following application programs including: net total, timer, calculation, differential weighing, diameter determination, animal weighing, check weighing, weighing in percent, counting, totalizing, statistics, formulation, density determination, (300) memory locations and unit toggle.

### **Safe or Hazardous Area Power Supplies**

FC-EX scales must be ordered with a safe area or hazardous area power supply.

### **Easy, User-Friendly Operation**

The scale's display prompts the user in plain English for easy operator guidance. The keyboard has large, clearly marked keys, which give you an instant tactile feedback.

### **IP54 Protection Rating**

The IP54 protection rating let the scales withstand dust and moisture and protects against accidental spills and ingress of dust particles making them suitable for use in the industrial environment

### **RS232 Data Interface:**

For those areas with ISO concerns the FC-EX scales are capable of transferring GLP/GMP compliant data via the RS232 interface. User configurable printouts and calibration data can output to a printer or computer located outside the hazardous area through an optional Zener -Barrier (YDI02-Z, YDI03-Z)

Sartorius Corporation  
131 Heartland Boulevard  
Edgewood New York 11717  
Toll Free: (800) 635-2906  
☎ (631) 254-4249  
Fax (631) 254-4261

<b>Sartorius Fax on Demand: (800) 551-3774</b>	
This Document Number:	20714
<b>Related Documents</b>	<b>#</b>
Industrial Catalog	2000
Explosion Proof Price List	42071