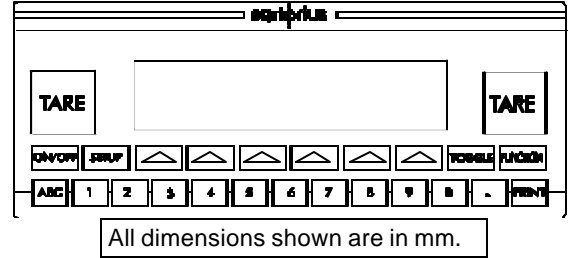
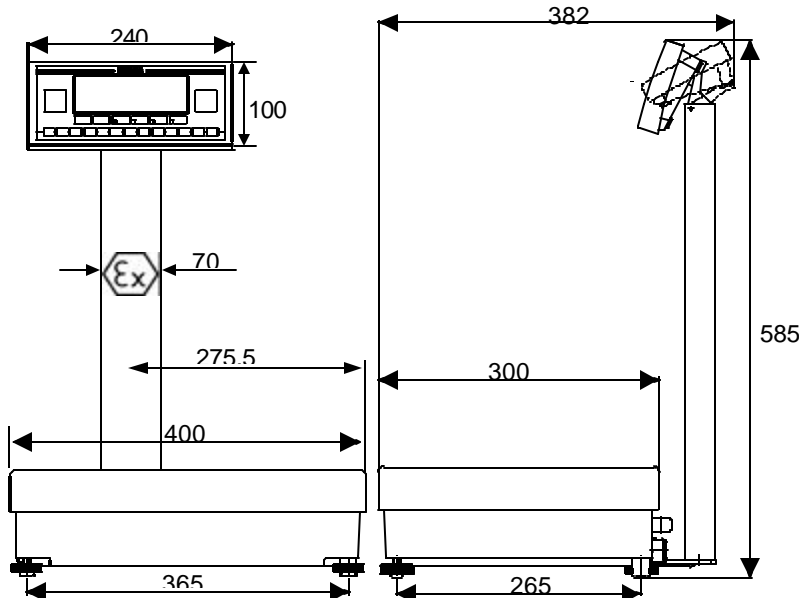


FC64EDE-SX



Meeting your needs in every weigh.



FACTORY MUTUAL



Canadian Standards Association

APPROVED

Intrinsically Safe Design

SPECIFICATIONS:

Weighing Capacity	64kg/141lbs	Platform Size (WxD)	15.8" x 11.8"
Readability	1g/0.002 lbs.	Dimensions (WxHxD)	11.8" x 23" x 4.8"
Linearity	± 1.0g	Displ. Dim. (WxHxD)	9.4" x 4.1" x 1.6"
Reproducibility	± 0.3g	Overload Capacity	130kg or 285lb
Response Time	< 1 seconds	Net Weight	16kg or 35lb.
Operating Temp.	0 to +40°C	Type of Display	Backlit LCD
Protection Rating	IP65 / NEMA 4	FM Approval Rating	Cl.1,Div.1,Groups ABCD

FEATURES:

Built-in TEST Function

At a touch of one key, the scale will calibrate itself automatically, using a built-in-weight. The scale can output a test record to an optional printer or to a PC.

Multiple Built-in Application Programs

FC-EX Series scales come standard with the following application programs including: net total, timer, calculation, differential weighing, diameter determination, animal weighing, check weighing, weighing in percent, counting, totalizing, statistics, formulation, density determination, (300) memory locations and unit toggle.

Safe or Hazardous Area Power Supplies

FC-EX scales must be ordered with a safe area or hazardous area power supply.

Easy, User-Friendly Operation

The scale's display prompts the user in plain English for easy operator guidance. The keyboard has large, clearly marked keys, which give you an instant tactile feedback.

IP65/NEMA 4 Protection Rating

The IP 65 protection rating means the scale is dust-tight and wash-down protected. This feature makes these scales suitable for use in some of the harshest industrial environments.

RS232 Data Interface:

For those areas with ISO concerns the FC-EX scales are capable of transferring GLP/GMP compliant data via the RS232 interface. User configurable printouts and calibration data can output to a printer or computer located outside the hazardous area through an optional Zener -Barrier (YDI02-Z, YDI03-Z)

Sartorius Corporation
131 Heartland Boulevard
Edgewood New York 11717
Toll Free: (800) 635-2906
☎ (631) 254-4249
Fax (631) 254-4261

Sartorius Fax on Demand: (800) 551-3774	
This Document Number:	20722
Related Documents	#
Industrial Catalog	2000
Explosion Proof Price List	42071