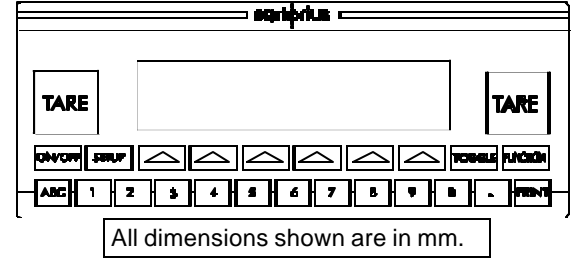
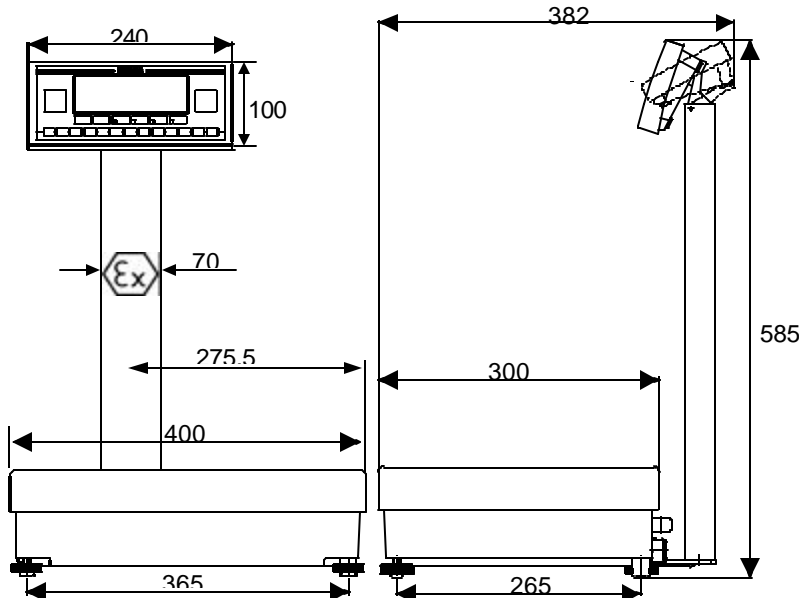


FC34EDE-HX



Meeting your needs in every weigh



FACTORY MUTUAL



Canadian Standards Association

APPROVED

Intrinsically Safe Design

SPECIFICATIONS:

| | | | |
|-------------------|----------------------|---------------------|------------------------|
| Weighing Capacity | 34kg or 75lb. | Platform Size (WxD) | 15.8" x 11.8" |
| Readability | 0.1g or 0.0002lb. | Dimensions (WxHxD) | 11.8" x 23" x 4.8" |
| Linearity | ± 0.2g or 0.0005 lb. | Displ. Dim. (WxHxD) | 9.4" x 4.1" x 1.6" |
| Reproducibility | ± 0.1g or 0.0002 lb. | Overload Capacity | 130kg or 285lb |
| Response Time | < 1 seconds | Net Weight | 16kg or 35lb. |
| Operating Temp. | 0 to +40°C | Type of Display | Backlit LCD |
| Protection Rating | IP65 / NEMA 4 | FM Approval Rating | Cl.1,Div.1,Groups ABCD |

FEATURES:

Built-in TEST Function

At a touch of one key, the scale will calibrate itself automatically, using a built-in-weight. The scale can output a test record to an optional printer or to a PC.

Multiple Built-in Application Programs

FC-EX Series scales come standard with the following application programs including: net total, timer, calculation, differential weighing, diameter determination, animal weighing, check weighing, weighing in percent, counting, totalizing, statistics, formulation, density determination, (300) memory locations and unit toggle.

Safe or Hazardous Area Power Supplies

FC-EX scales must be ordered with a safe area or hazardous area power supply.

Easy, User-Friendly Operation

The scale's display prompts the user in plain English for easy operator guidance. The keyboard has large, clearly marked keys, which give you an instant tactile feedback.

IP65/NEMA 4 Protection Rating

The IP 65 protection rating means the scale is dust-tight and wash-down protected. This feature makes these scales suitable for use in some of the harshest industrial environments.

RS232 Data Interface:

For those areas with ISO concerns the FC-EX scales are capable of transferring GLP/GMP compliant data via the RS232 interface. User configurable printouts and calibration data can output to a printer or computer located outside the hazardous area through an optional Zener -Barrier (YDI02-Z, YDI03-Z)

Sartorius Corporation
131 Heartland Boulevard
Edgewood New York 11717
Toll Free: (800) 635-2906
☎ (631) 254-4249
Fax (631) 254-4261

| Sartorius Fax on Demand: (800) 551-3774 | |
|--|----------|
| This Document Number: | 20721 |
| Related Documents | # |
| Industrial Catalog | 2000 |
| Explosion Proof Price List | 42071 |
| | |
| | |