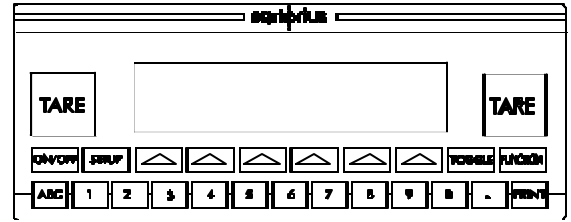
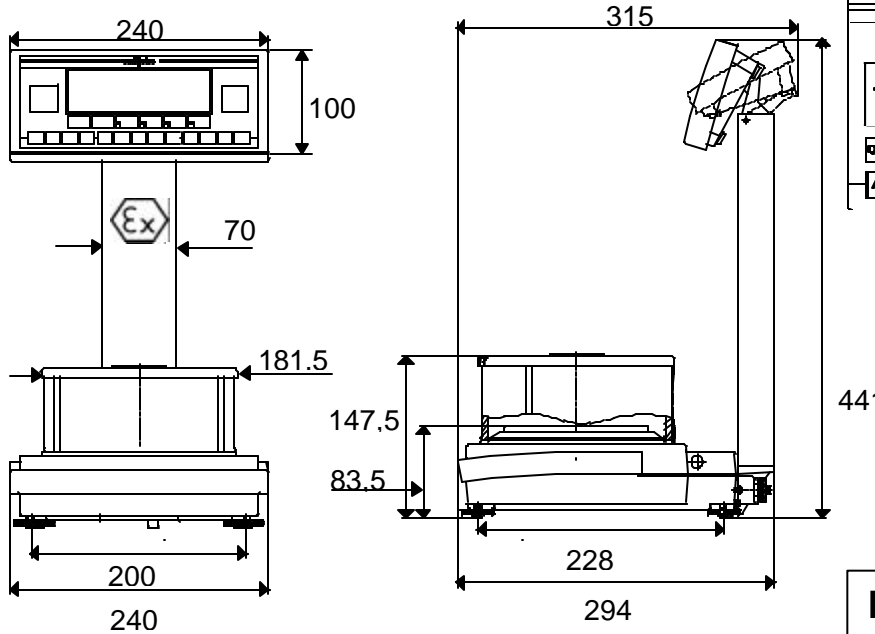


FC06BBE-SX



Meeting your needs in every weigh.



All dimensions shown are in mm.

FACTORY MUTUAL

Canadian Standards Association

APPROVED

Intrinsically Safe Design

SPECIFICATIONS:

Weighing Capacity	0.62kg or 1.3lb.	Platform Size (WxD)	Ø 130mm or 5.1"
Readability	0.001g or 0.000002lb.	Dimensions (WxHxD)	9.4" x 11.6" x 3.4"
Linearity	± 0.002g or 0.000005 lb.	Displ. Dim. (WxHxD)	9.4" x 4.1" x 1.6"
Reproducibility	± 0.001g or 0.000002 lb.	Overload Capacity	10kg or 22lb
Response Time	< 1 seconds	Net Weight	7.3kg or 16.1lb.
Operating Temp.	0 to +40°C	Type of Display	Backlit LCD
Protection Rating	IP54	FM Approval Rating	CI.1,Div.1,Groups ABCD

FEATURES:

Built-in TEST Function

At a touch of one key, the scale will calibrate itself automatically, using a built-in-weight. The scale can output a test record to an optional printer or to a PC.

Multiple Built-in Application Programs

FC-EX Series scales come standard with the following application programs including: net total, timer, calculation, differential weighing, diameter determination, animal weighing, check weighing, weighing in percent, counting, totalizing, statistics, formulation, density determination, (300) memory locations and unit toggle.

Safe or Hazardous Area Power Supplies

FC-EX scales must be ordered with a safe area or hazardous area power supply.

Easy, User-Friendly Operation

The scale's display prompts the user in plain English for easy operator guidance. The keyboard has large, clearly marked keys, which give you an instant tactile feedback.

IP54 Protection Rating

The IP54 protection rating let the scales withstand dust and moisture and protects against accidental spills and ingress of dust particles making them suitable for use in the industrial environment

RS232 Data Interface:

For those areas with ISO concerns the FC-EX scales are capable of transferring GLP/GMP compliant data via the RS232 interface. User configurable printouts and calibration data can output to a printer or computer located outside the hazardous area through an optional Zener -Barrier (YDI02-Z, YDI03-Z)

Sartorius Corporation
 131 Heartland Boulevard
 Edgewood New York 11717
 Toll Free: (800) 635-2906
 ☎ (631) 254-4249
 Fax (631) 254-4261

Sartorius Fax on Demand: (800) 551-3774	
This Document Number:	20710
Related Documents	#
Industrial Catalog	2000
Explosion Proof Price List	42071